

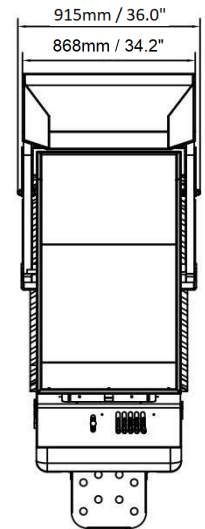
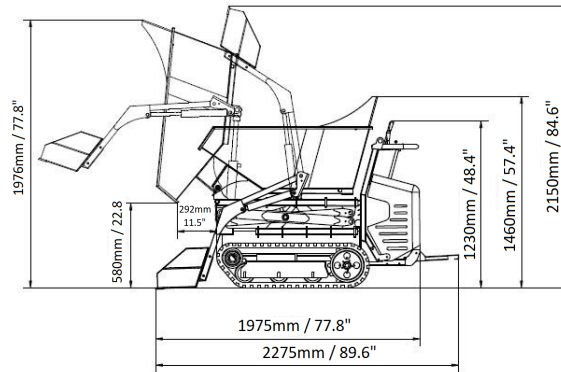
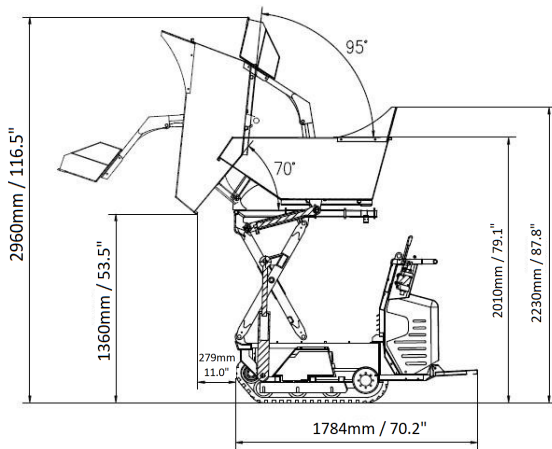


Track-Dumper

High Dump

RC 800 H





**RC 800 H
Technical Data**

Engine	
Honda	GX 390
Type	1 cyl. / 4-stroke
Displacement	389 cm ³
Engine Output	8.2 kW / 11.0 HP
Revolution Speed	3600/rpm
Starter	Reversing + electric starter
Air Filter	Dry cartridge
Fuel Filter	Seive

Drive	Hydrostatic
Guidance	Hydraulic Motor
Characteristic	Hydraulic tipping device hydraulic self loader electric start

Operating Data	
Machine Weight	560 kg / 1234.6 lbs.
Max. Payload	800 kg / 1763.7 lbs.
Max. Operating Weight (loaded)	1360 kg / 2998.3 lbs.
Tilting Device	Hydraulic
Climbing Ability	Max. 26° (50%)
Working Speed	0 – 5 km/h / 3.1 mph
Oil Pressure	175 bar
Oil Delivery Rate	28.8 ltr./min.



orders@gnhardscape.com
www.greatnorthhardscape.com
1.800.720.7627